

Data Sheet

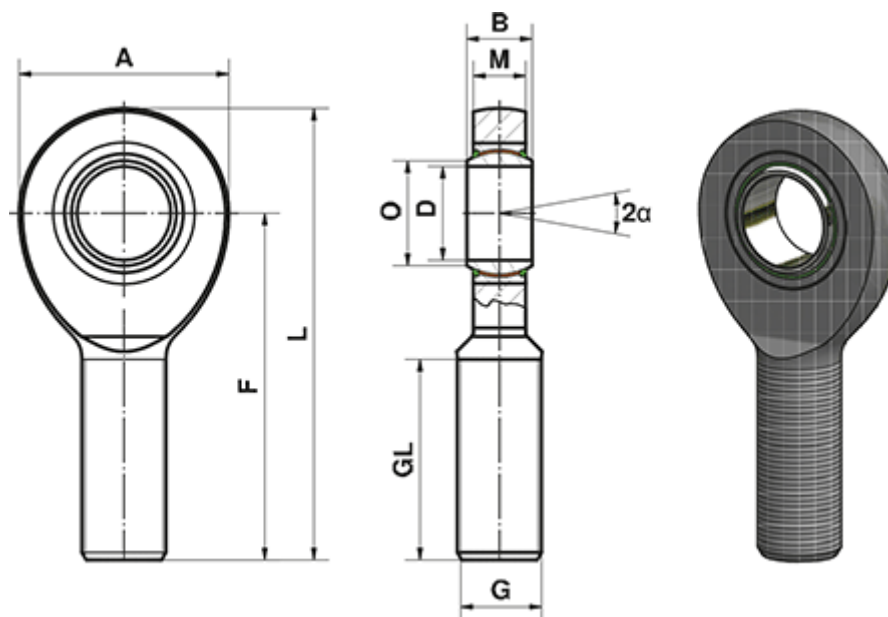


Article number: 03493050

Description: Fluro Heavy Duty Rod end EAL 50 EW-2RS
M45x3 Male thread

Note: 50

Measures



A	= 112	L	= 241
a (degrees)	= 6	M	= 28
B	= 35	O	= 55.9
D	= 50	Static load C0 (kN)	= 320
Dynamic load C (kN)	= 442	Weight (g)	= 3450
F	= 185		
G	= M45x3		
GL	= 107		